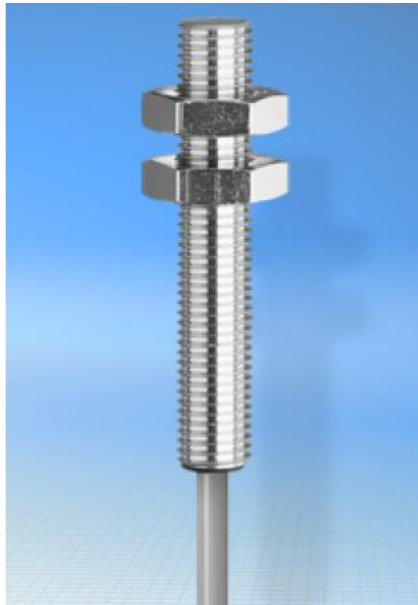




Inductive Distance Sensor

BDA-L M8 x 45



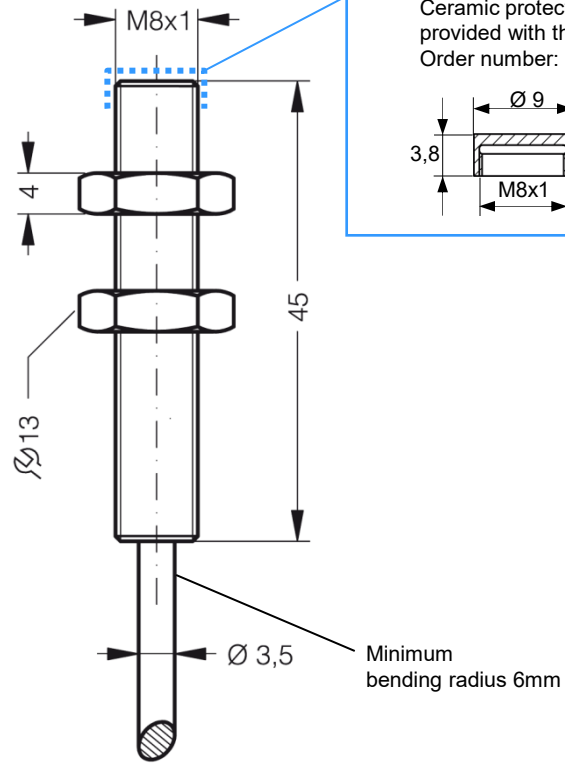
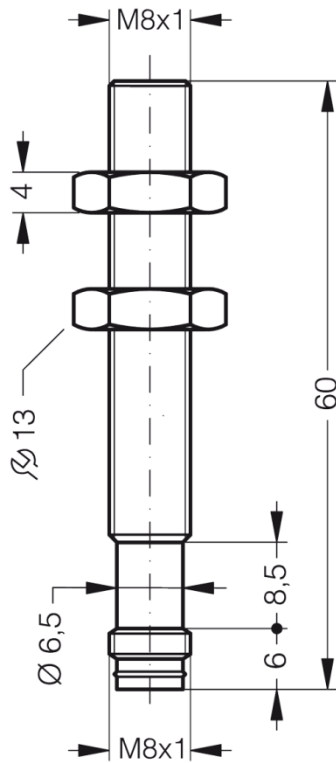
Technical details:

Measuring range:	0 – 4 mm
Measured value output:	0 – 10 V
Sensitivity:	2,5 mV/ μ m (averaged)
Resolution:	0,12 μ m (not smoothed) 0,08 μ m (with smoothing time constant 30 ms)
Bandwidth:	1600 Hz (-3dB)
Operating voltage:	15 – 30 VDC <10 mA
Temperature range:	-25°C to +70°C
Protection class:	IP67
Line:	PUR 2 m or via plug-in connector 5 m
Casing:	Brass, nickel-plated

Function:

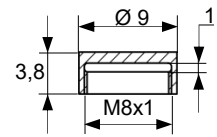
- Analogous voltage output
- Integrated amplifier
- Short circuit protection
- Highly flexible cable or metal plug

Sensor BDA-L:



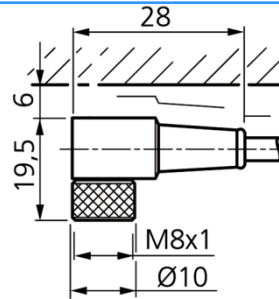
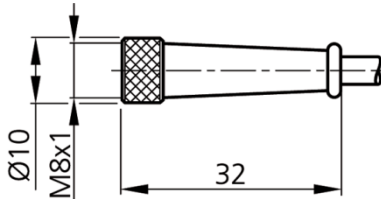
Option:

Ceramic protection cap provided with thread
Order number: 8.1.K

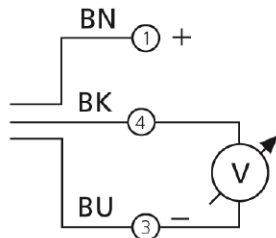


Minimum bending radius 6mm

Plug-in connector:

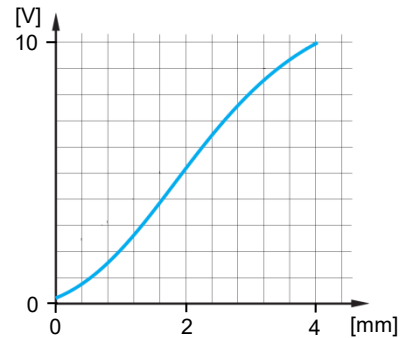


Port diagram:



BN = brown (+)
BK = black (signal output)
BU = blue (earth)

Characteristic curve:



Order number:

8.1.M8x50 **BDA-L M8x50**

8.1.K **Ceramic protection cap**

Measuring principle:

Eddy current distance measurement